

Analogue T-bar

Video controller



Penny+Giles Analogue T-Bar controllers provide excellent performance and reliability for video switchers, mixers and effects generators. They incorporate a conductive plastic track that provides superb performance and an analogue output with low hop-on voltage.

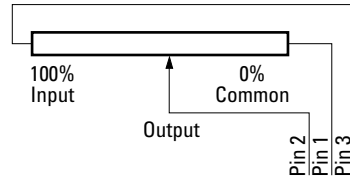
- smooth precise control
- infinite resolution
- noise-free operation
- compact and rugged
- proven durability

SELECT THE T-BAR OPTIONS YOU REQUIRE

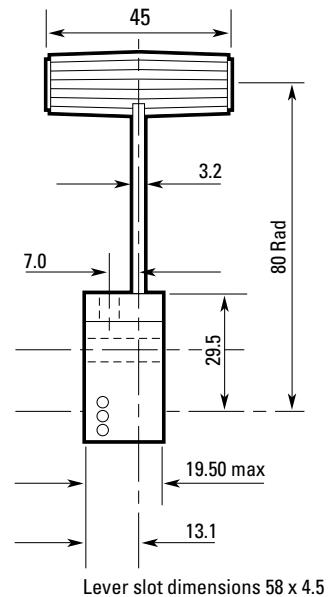
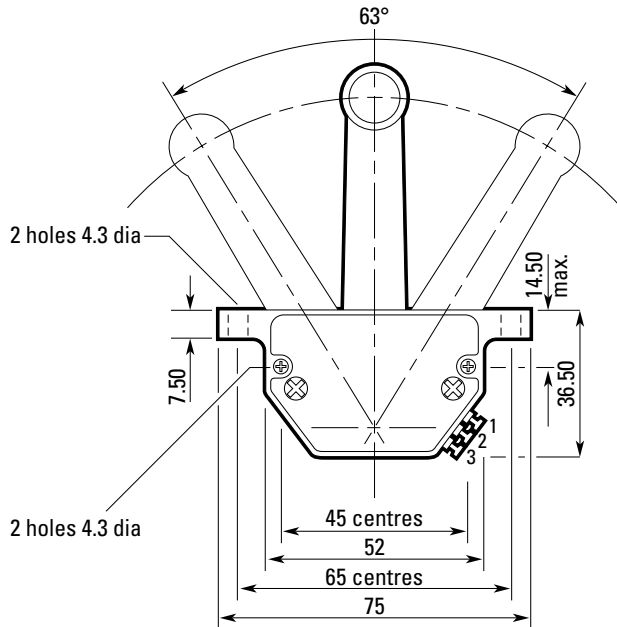
Resistance	5kΩ ^C	2.5kΩ ^G
Linearity	1% ¹	3% ³
End volts maximum	0.01% ^N	0.1% ^X
Output law	Linear	

Circuit diagrams/Terminations

Track switch (2mA max)
available to special order



Dimensions



Minimum overtravel each end 1° Insulation resistance 100MΩ at 500Vd.c.

TO ORDER OR OBTAIN A QUOTATION Please contact your nearest sales office and advise:

The series number and description, resistance, linearity and end volts.

For example: • PGF5000 • 2.5kΩ • linearity 3% • end volts 0.1% Penny+Giles would code this fader as:

Controller type **PGF5000** / **G** / **3** / **X**