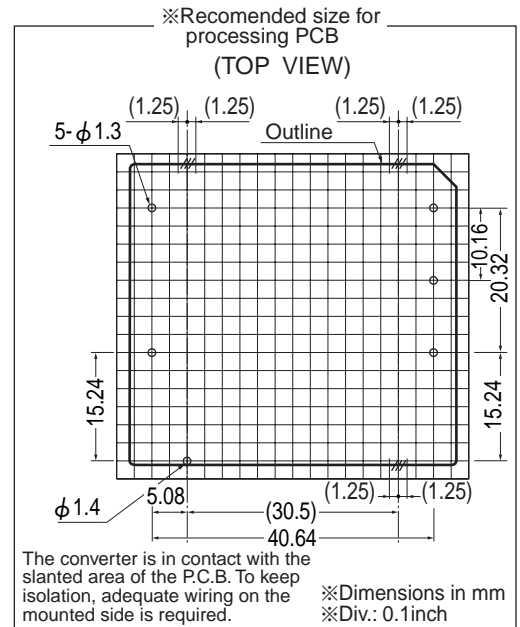
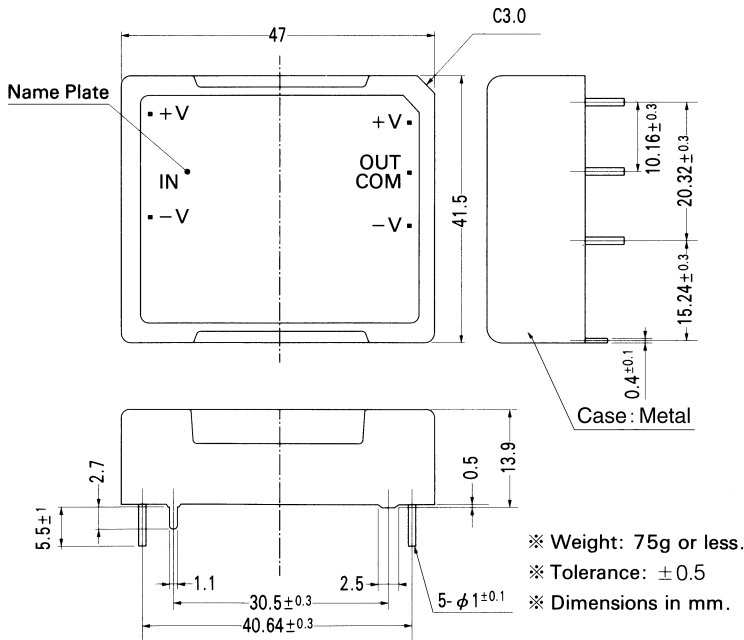
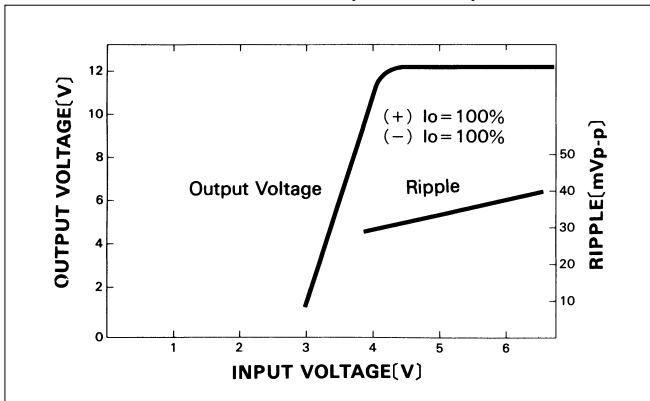


External view

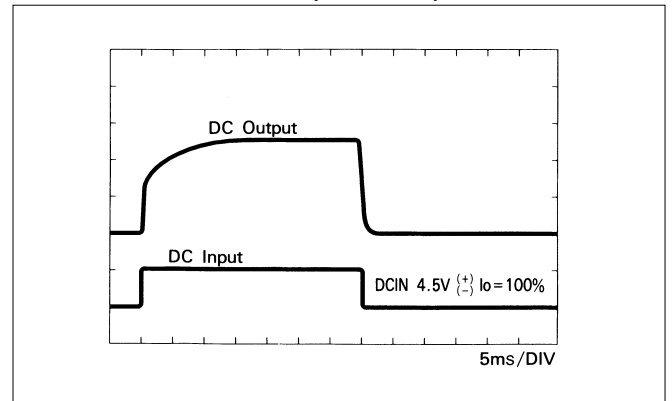


Performance data

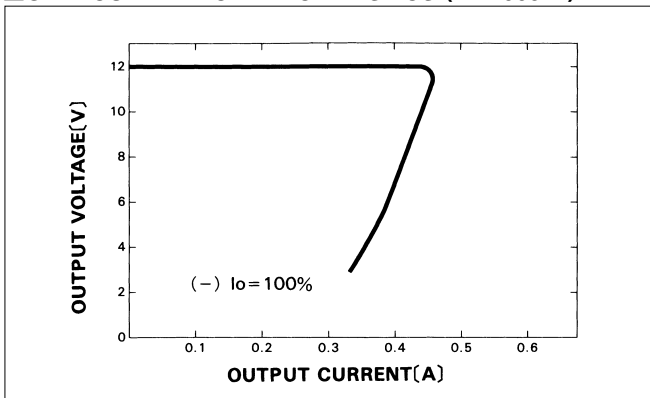
■ STATIC CHARACTERISTICS (ZW100512)



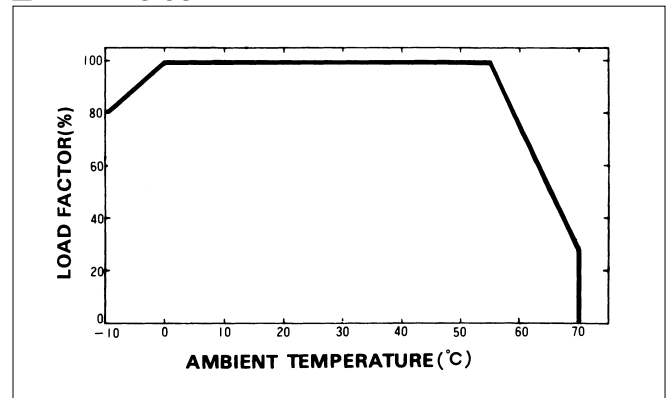
■ RISE TIME & FALL TIME (ZW100512)



■ OVERCURRENT CHARACTERISTICS (ZW100512)



■ DERATING CURVE



Z