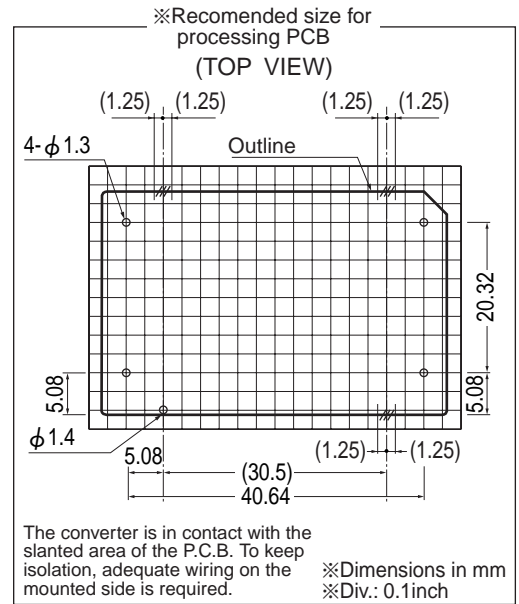
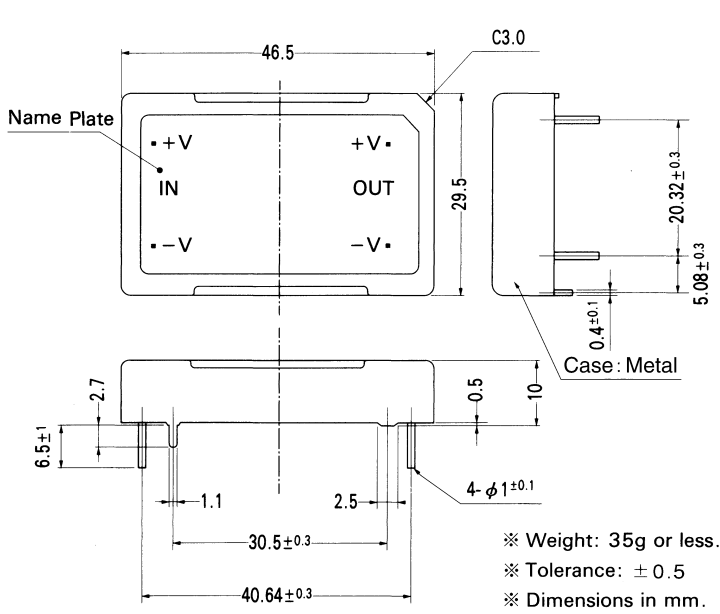
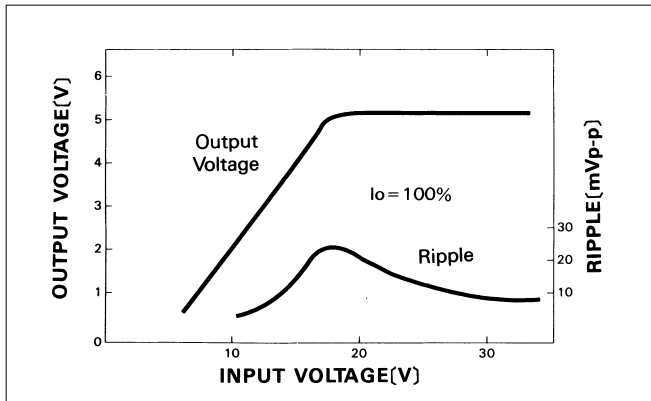


External view

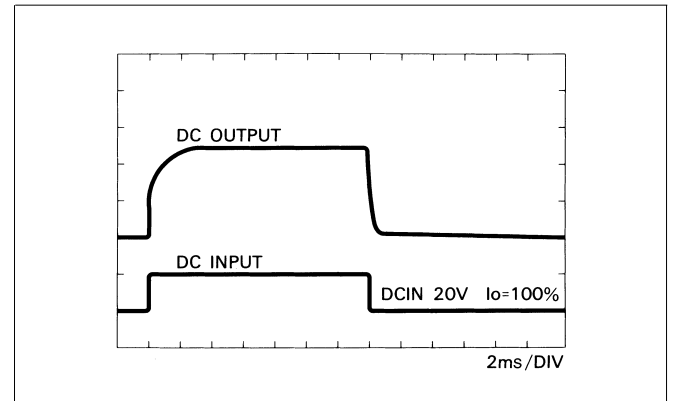


Performance data

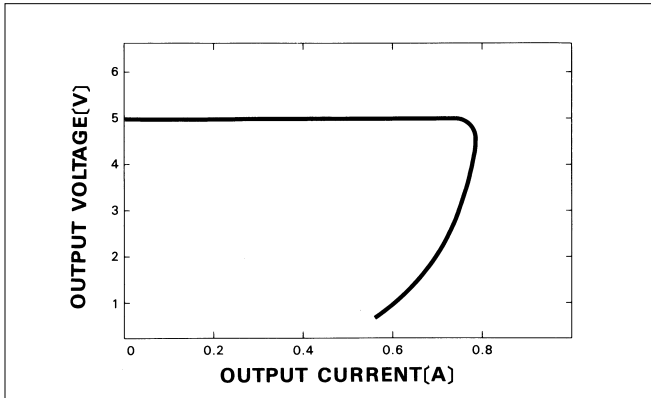
■ STATIC CHARACTERISTICS (ZS32405)



■ RISE TIME & FALL TIME (ZS32405)



■ OVERCURRENT CHARACTERISTICS (ZS32405)



■ DERATING CURVE

