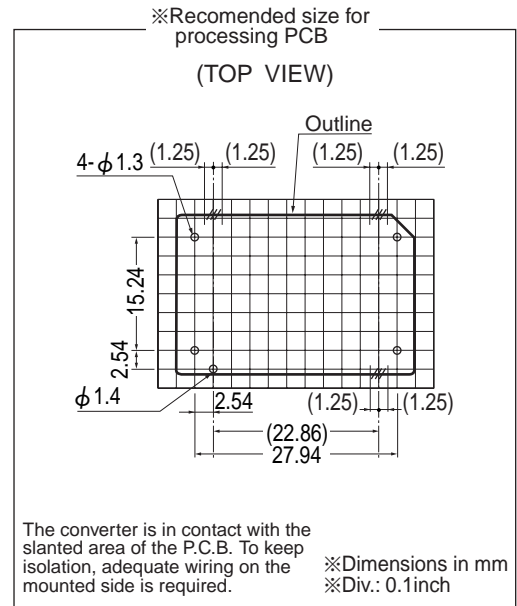
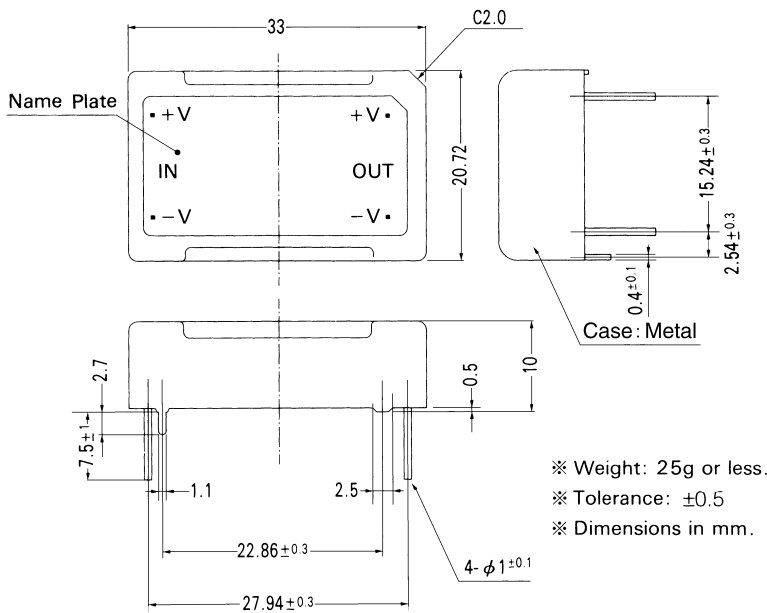
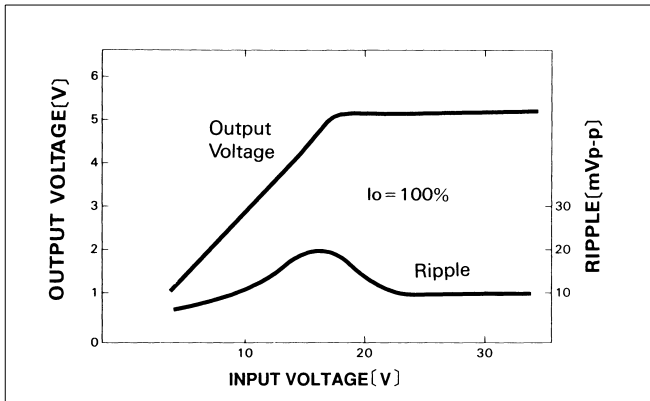


External view

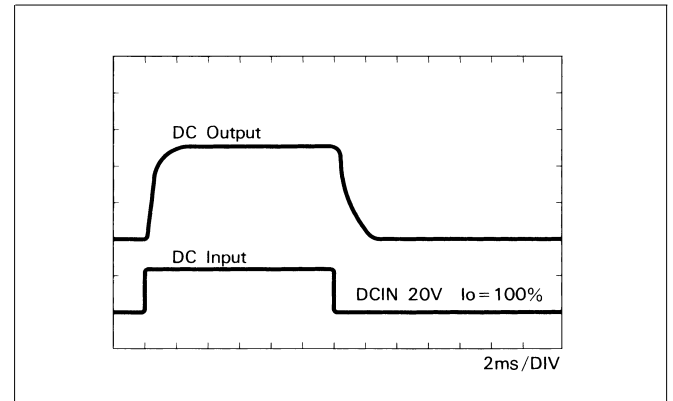


Performance data

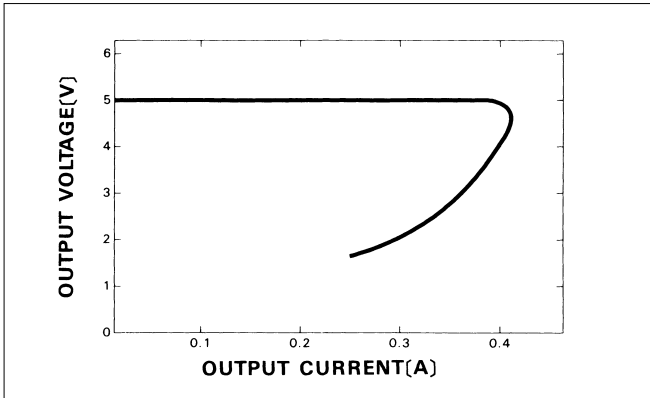
■ STATIC CHARACTERISTICS (ZS1R52405)



■ RISE TIME & FALL TIME (ZS1R52405)



■ OVERCURRENT CHARACTERISTICS (ZS1R52405)



■ DERATING CURVE

