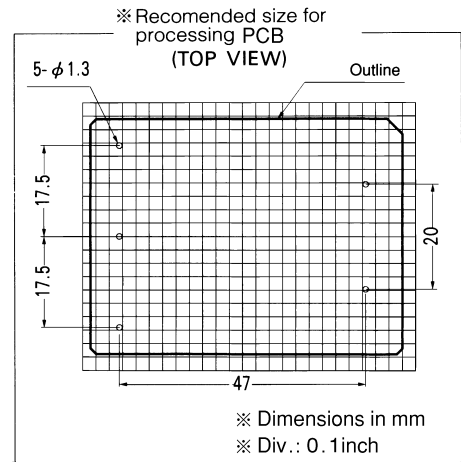
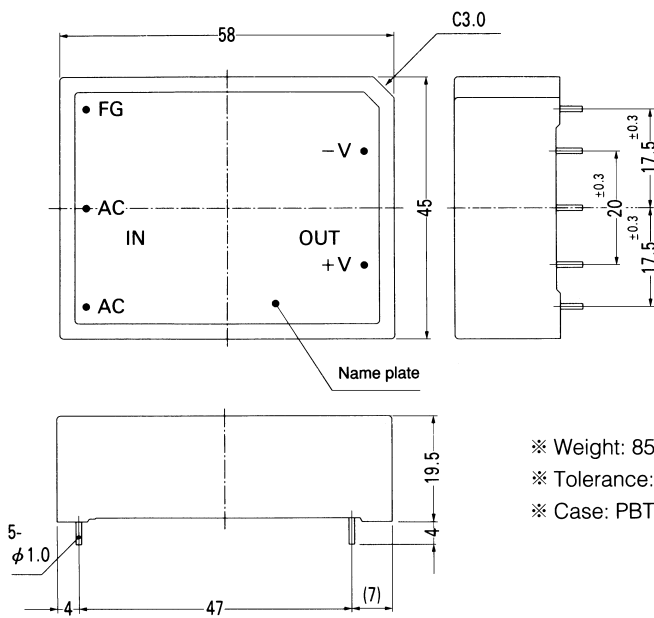


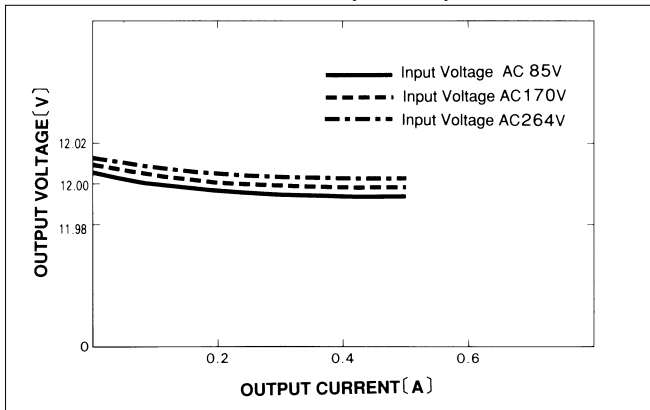
External view



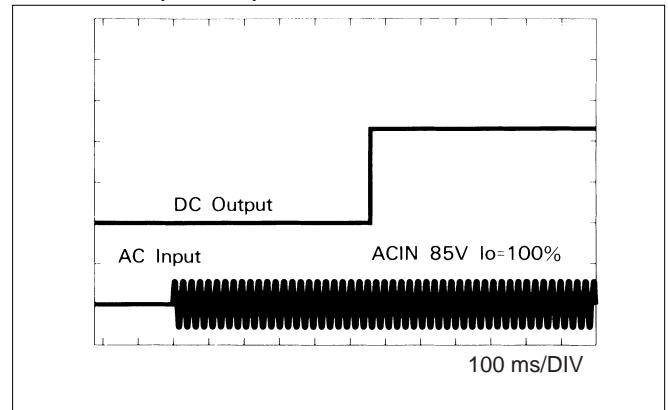
- ※ Weight: 85g or less
- ※ Tolerance:  $\pm 0.5$
- ※ Case: PBT

Performance data

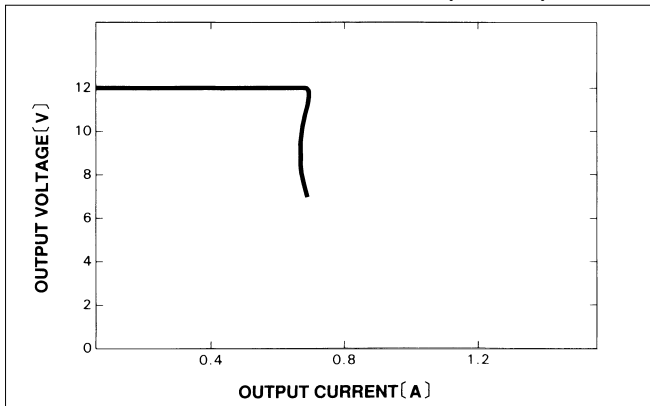
■ STATIC CHARACTERISTICS (YAS512)



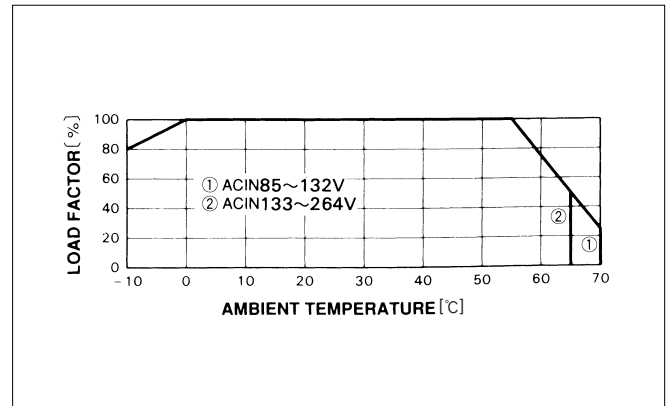
■ RISE TIME (YAS512)



■ OVERCURRENT CHARACTERISTICS (YAS512)



■ DERATING CURVE



YA