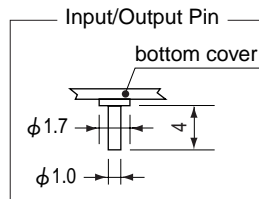
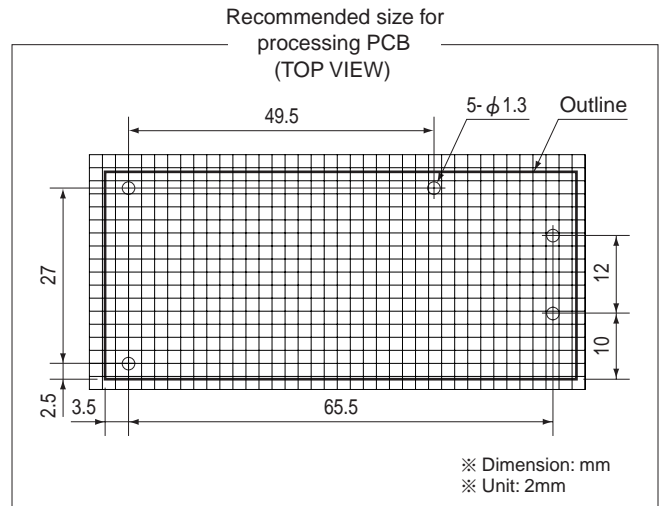
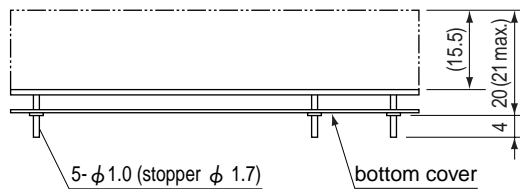
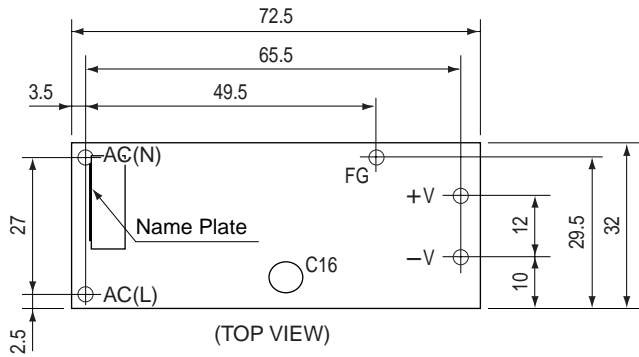


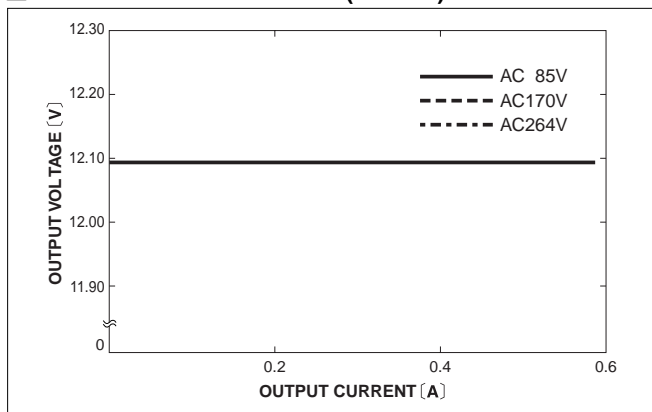
External view



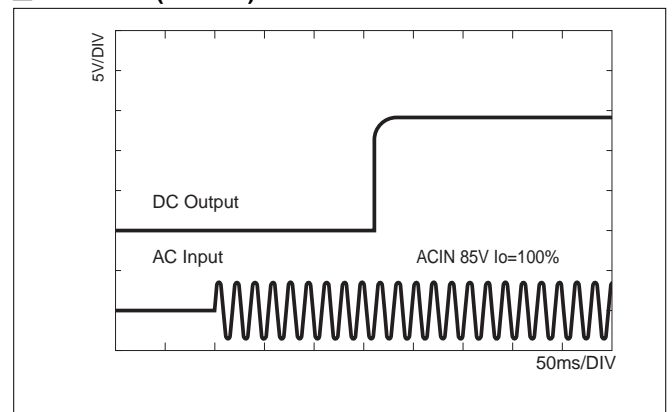
- ※ Weight: 30g or Less
- ※ Tolerance: ±0.5
- ※ PCB material: CEM-3
- ※ PCB thickness: t=1.0
- ※ Pin material: CPW with solder plated
- ※ Bottom cover material: Bake PL 1256 (Black)
- ※ Recommended hole dia. to PCB: φ 1.3

Performance data

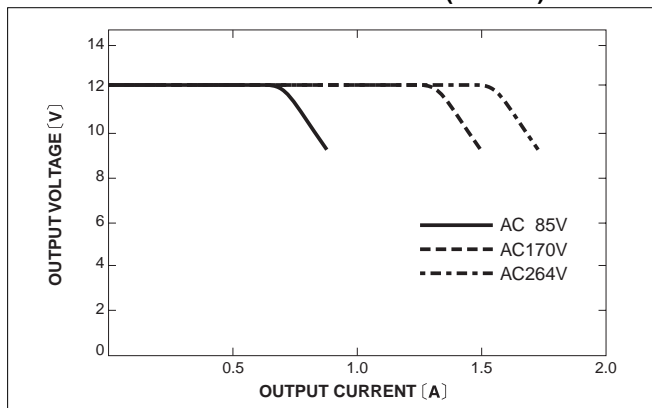
■ STATIC CHARACTERISTICS (VAF512)



■ RISE TIME (VAF512)



■ OVERCURRENT CHARACTERISTICS (VAF512)



■ DERATING CURVE

