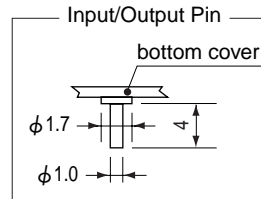
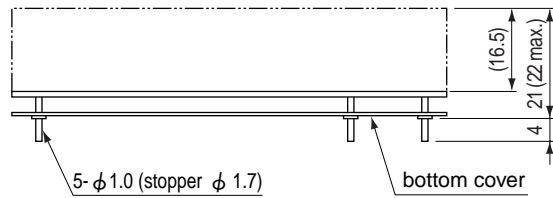
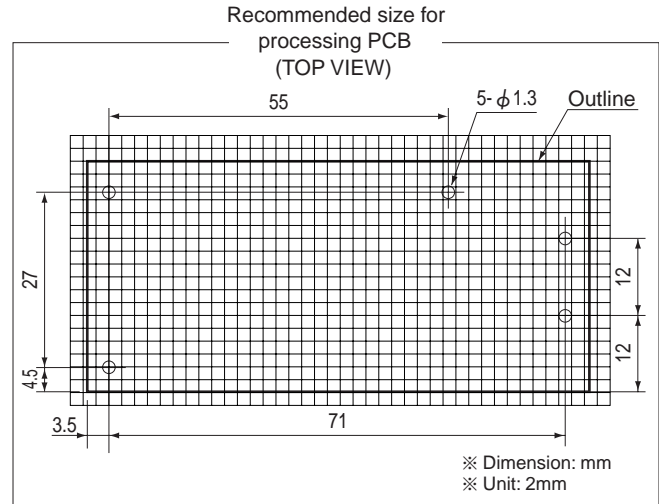
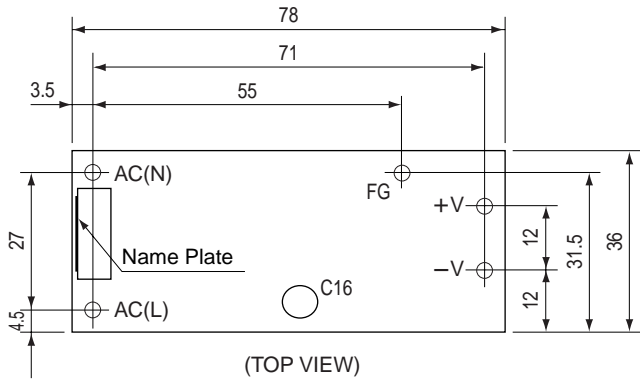


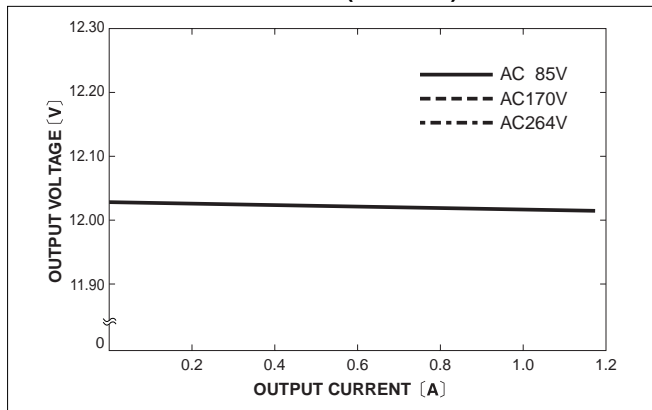
External view



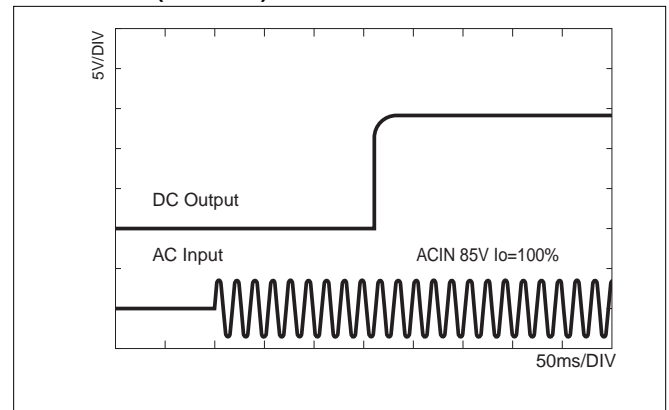
- ※ Weight: 40g or Less
- ※ Tolerance: ± 0.5
- ※ PCB material: CEM-3
- ※ PCB thickness: $t=1.0$
- ※ Pin material: CPW with solder plated
- ※ Bottom cover material: Bake PL 1256 (Black)
- ※ Recommended hole dia. to PCB: ϕ 1.3

Performance data

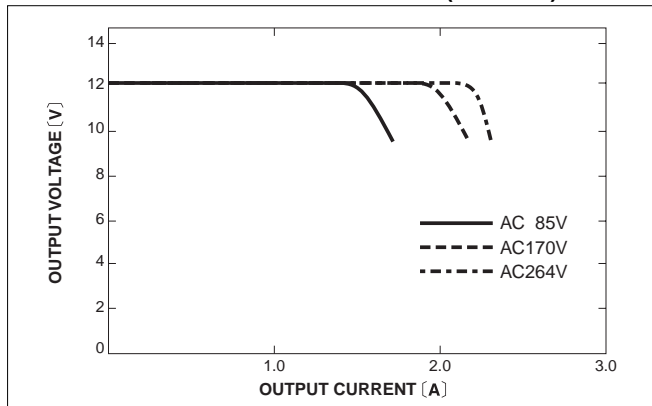
STATIC CHARACTERISTICS (VAF1012)



RISE TIME (VAF1012)



OVERCURRENT CHARACTERISTICS (VAF1012)



DERATING CURVE

