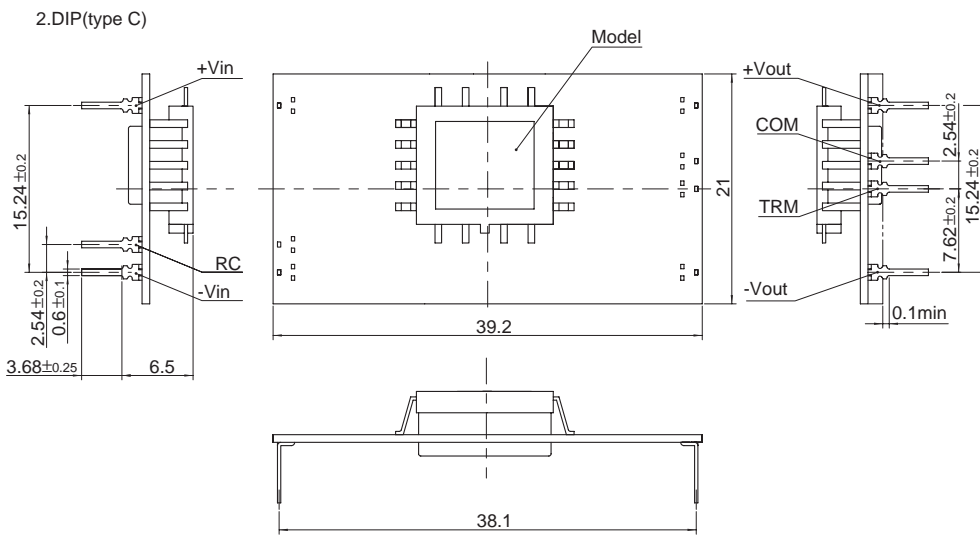
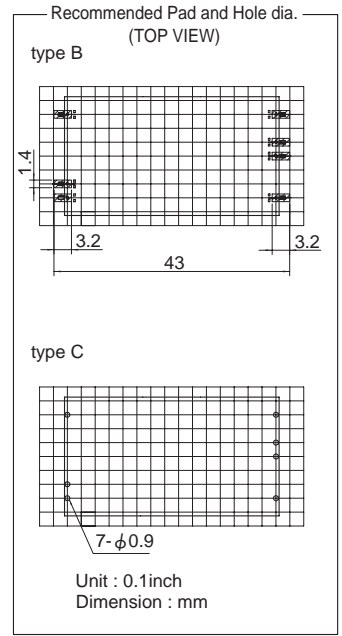
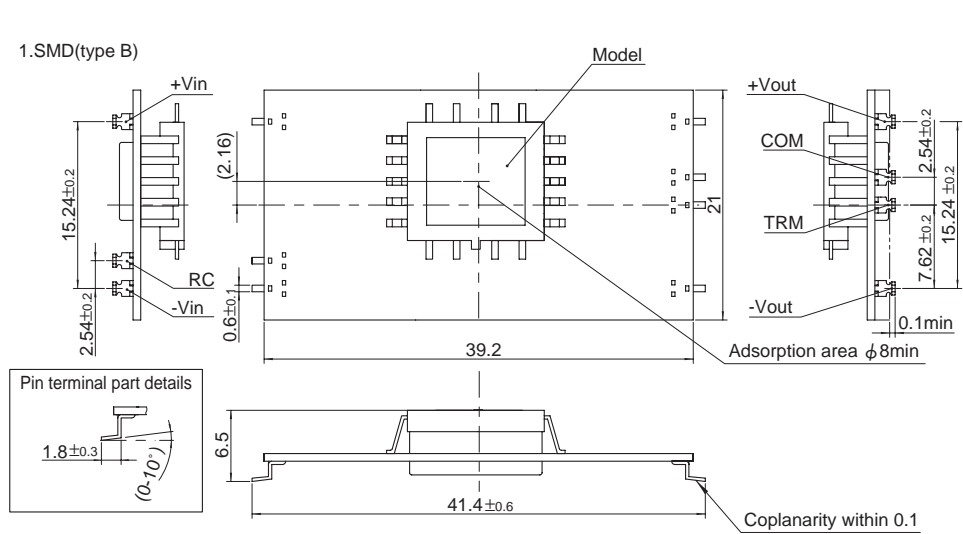


External view



- ※ Tolerance ± 0.5
- ※ Dimensions in mm
- ※ Pin terminal thickness : 0.3 ± 0.1
- ※ Pin terminal material : Copper alloy
- ※ Plating treatment of terminal : Lead free plating
- ※ Mass 6g less