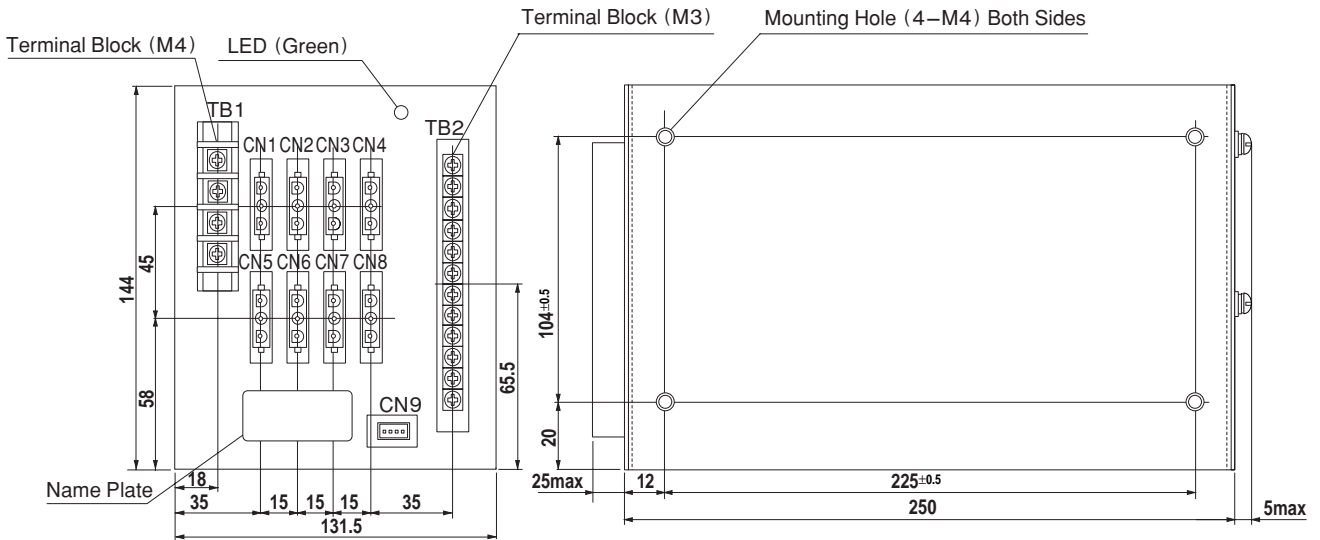


External view



※Mounting torque:
1.5N·m (16kgf·cm) max

※Weight:5kg or less
※Tolerance ±1
※Dimensions in mm

TB1
TYPE:F2331B 4P

pin no.	Function
1	AC (R)
2	AC (S)
3	AC (T)
4	FG

CN1 – CN8
TYPE:350825–1

pin no.	Function
1	DC (+V)
2	DC (-V)
3	FG

Mating Connector:350766–1
Terminal:350547–1
or 350552–1

CN9
TYPE:B4B–XH

pin no.	Function
1	REMOTE ON/OFF (+)
2	REMOTE ON/OFF (-)
3	AL OUT (+)
4	AL OUT (-)

Mating Connector:XHP–4
Terminal: SXH–001T–P0.6
or SXH–002T–P0.6

TB2 (STA5000T–R)
TYPE:F2361A–13.2L–12P

pin no.	Function
1	ALM (+)
2	ALM (-)
3	SYSTEM ON/OFF (+)
4	SYSTEM ON/OFF (-)
5	R/S1 ON/OFF (+)
6	R/S1 ON/OFF (-)
7	R/S2 ON/OFF (+)
8	R/S2 ON/OFF (-)
9	R/S3 ON/OFF (+)
10	R/S3 ON/OFF (-)
11	R/S4 ON/OFF (+)
12	R/S4 ON/OFF (-)

※Keep drawing current per pin bellow 8A of CN1 – CN8.

Performance data

SYSTEM CONCEPT

– Sample system configuration –

