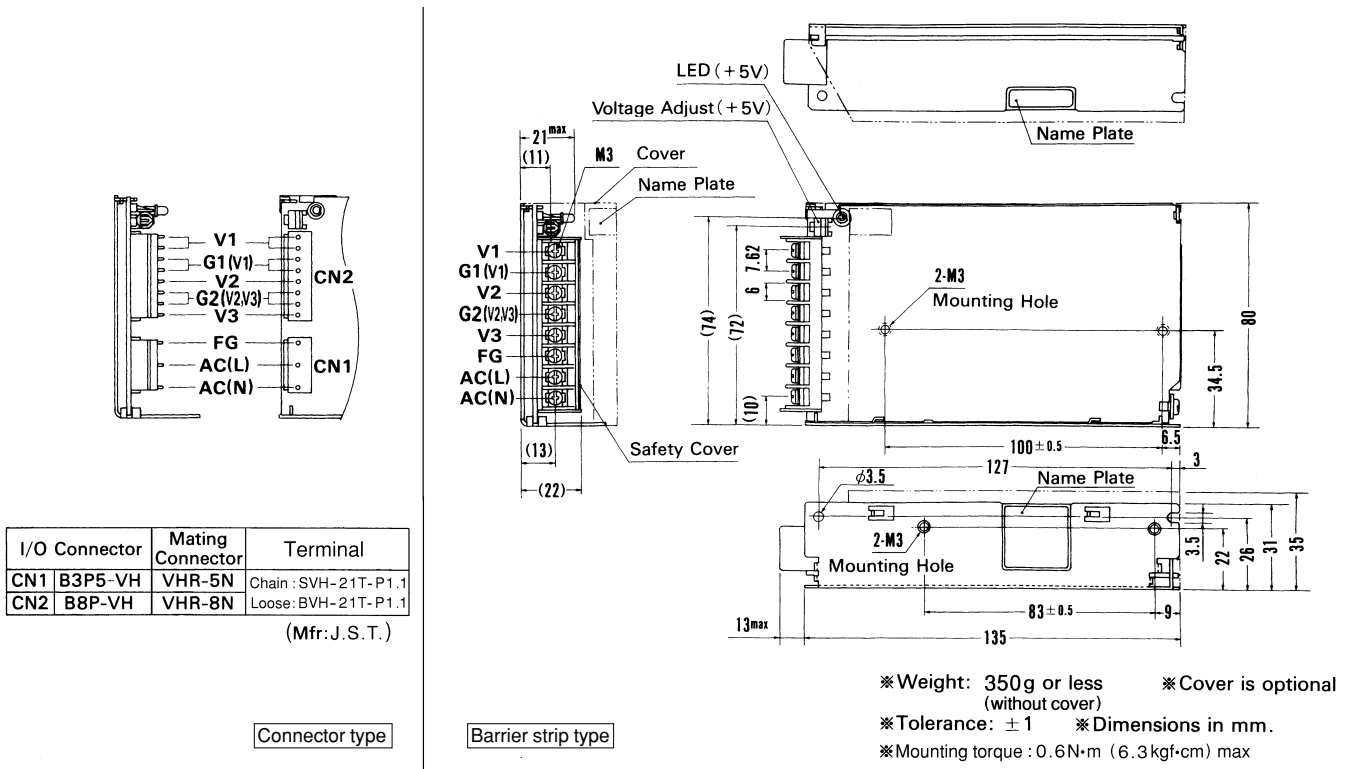
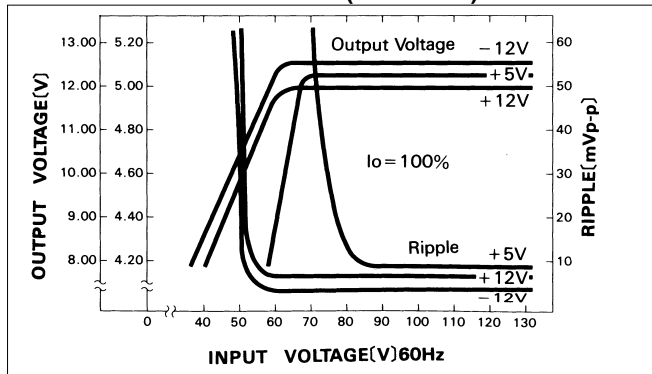


External view

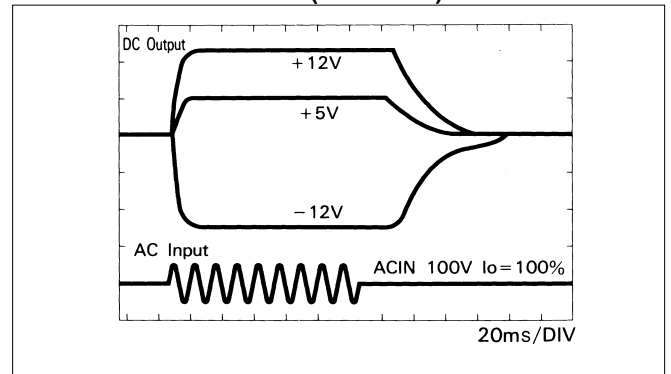


Performance data

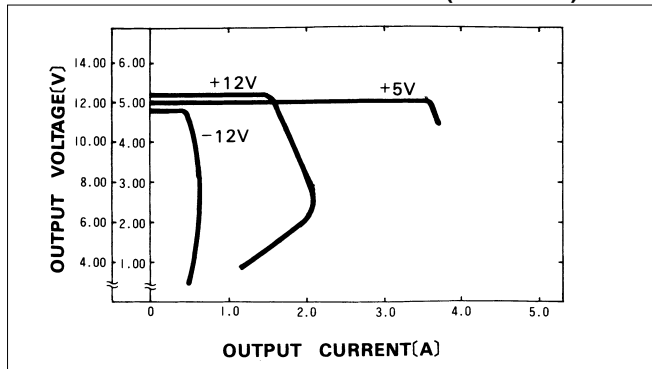
STATIC CHARACTERISTICS (RMC30A-1)



RISE TIME & FALL TIME (RMC30A-1)



OVERCURRENT CHARACTERISTICS (RMC30A-1)



DERATING CURVE

