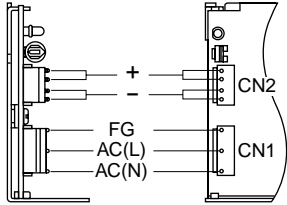


External view

R



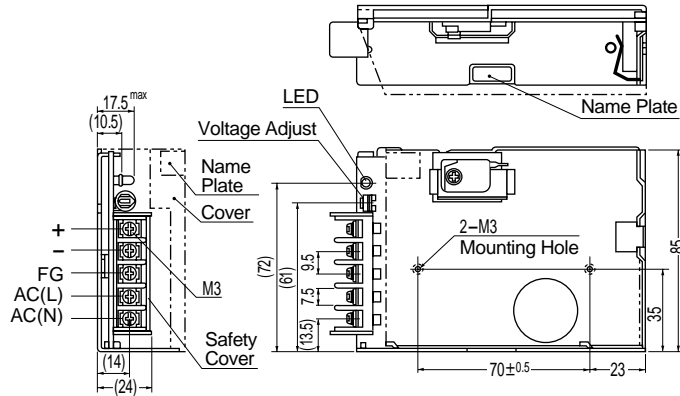
I/O Connector	Mating Housing
CN1	B3P5-VH VHR-5N
CN2	B4P-VH VHR-4N

(Mfr : J.S.T.)

Terminal
Chain: SVH-21-P1.1
Loose: BVH-21-P1.1

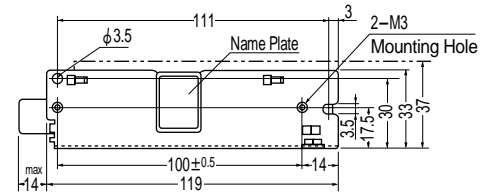
(Mfr : J.S.T.)

Connector type



- ※Weight : 300g or less (without cover)
- ※Cover is optional
- ※Tolerance : ±1
- ※Dimensions in mm.

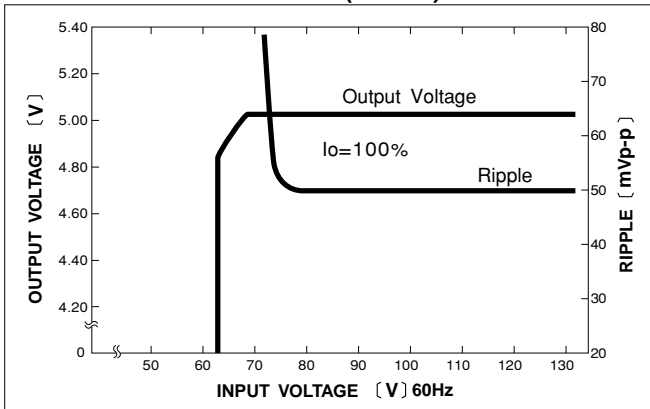
Barrier strip type



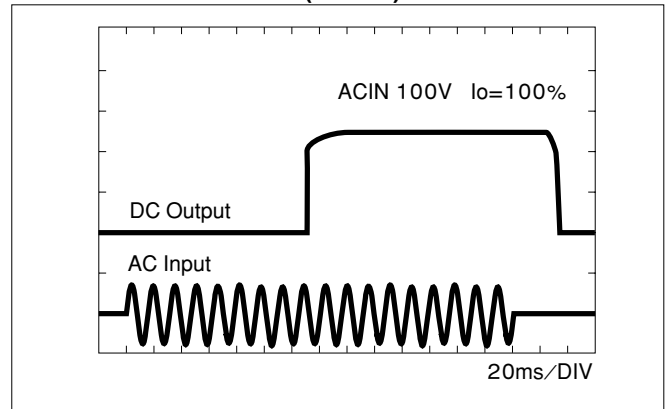
Mounting torque: 0.49N·m (5.0kgf·cm) max

Performance data

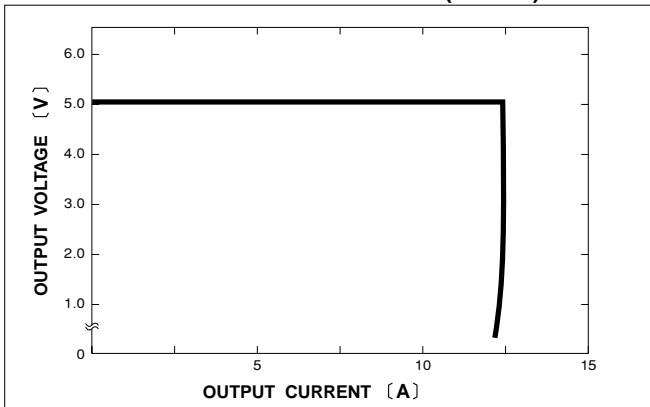
■ STATIC CHARACTERISTICS (R50A-5)



■ RISE TIME & FALL TIME (R50A-5)



■ OVERCURRENT CHARACTERISTICS (R50A-5)



■ INRUSH CURRENT (R50A-5)

