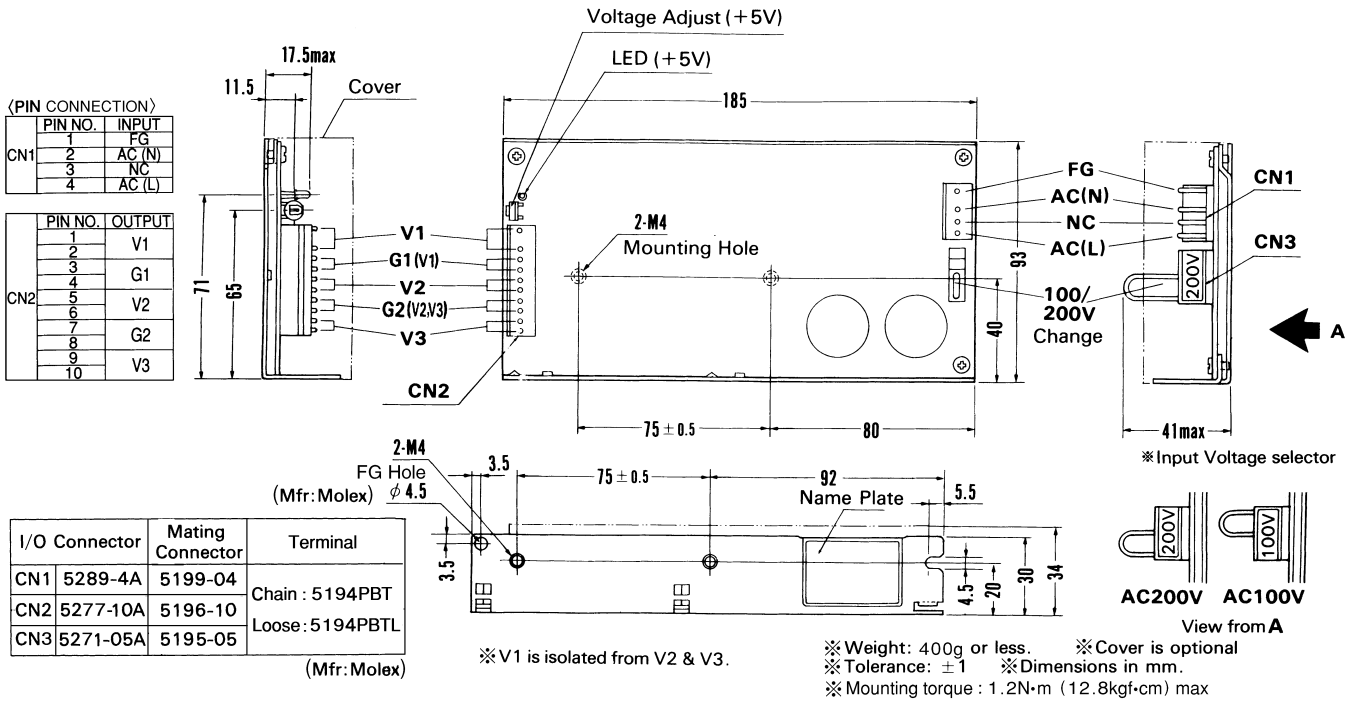
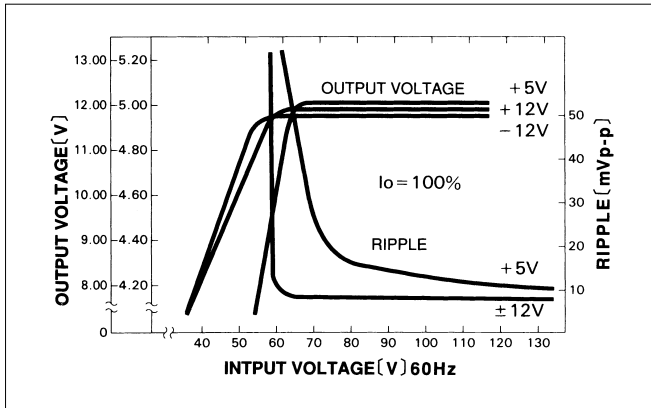


External view

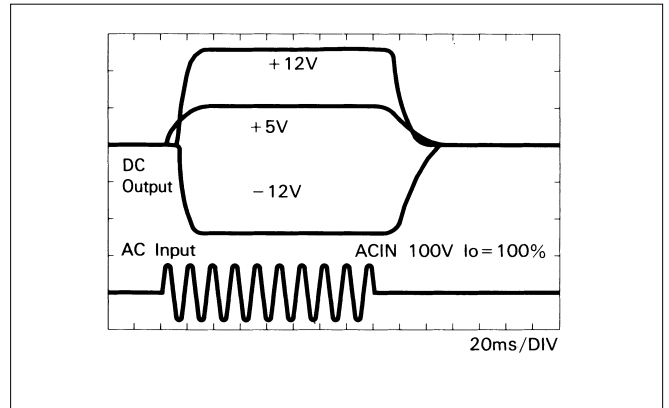


Performance data

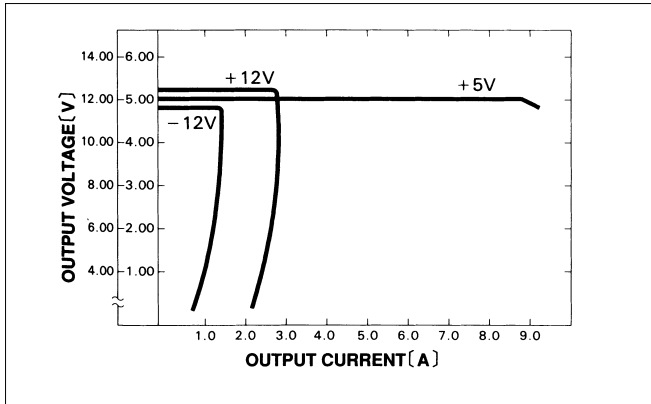
■ STATIC CHARACTERISTICS (PMC50E-1-XULA)



■ RISE TIME & FALL TIME (PMC50E-1-XULA)



■ OVERCURRENT CHARACTERISTICS (PMC50E-1-XULA)



■ DERATING CURVE

