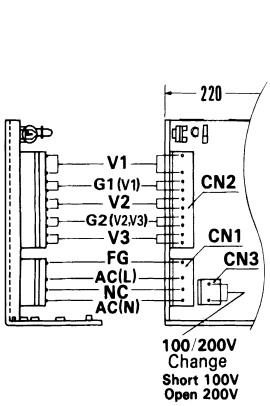


External view

(PIN CONNECTION)

PIN NO.	INPUT
1	FG
2	AC (L)
3	NC
4	AC (N)

PIN NO.	OUTPUT
1	V1
2	G1
3	V2
4	G2
5	V3
6	G1
7	V2
8	G2
9	V3
10	V3

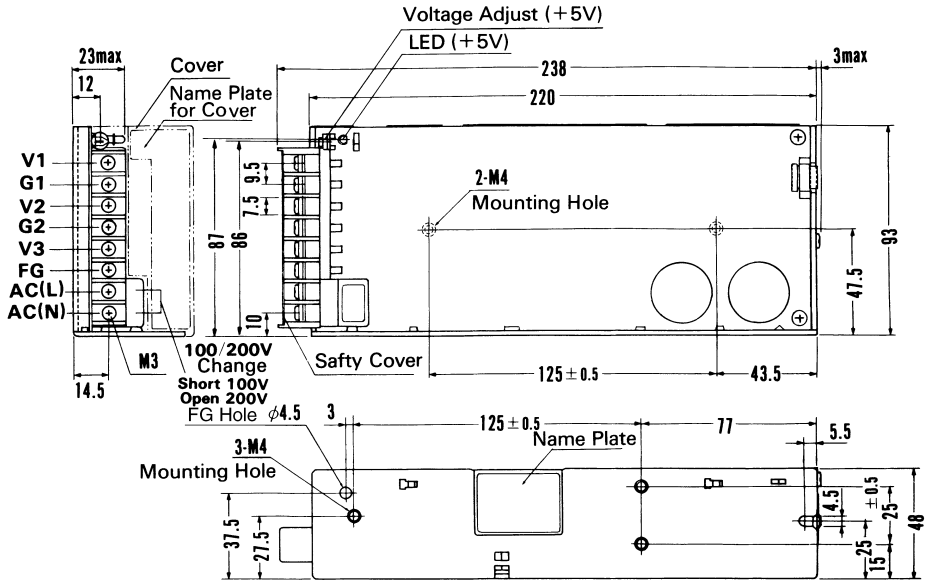


100/200V Change  
Short 100V  
Open 200V

I/O Connector	Mating Connector	Terminal
CN1	5289-4A	5199-04
CN2	5277-10A	5196-10
CN3	5289-2A	5199-02

(Mfr: Molex)

Connector type



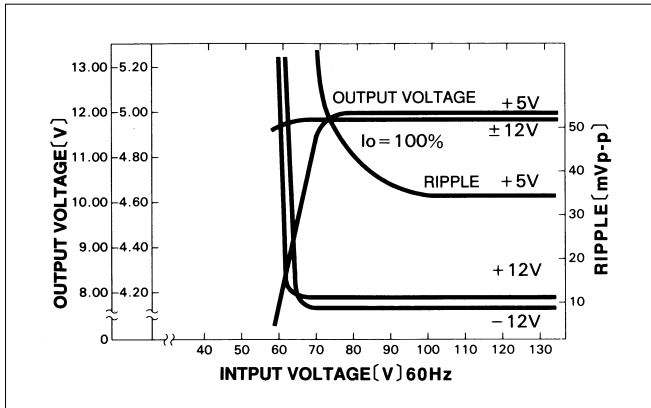
※ V1 is isolated from V2 & V3.

※ Weight: 750g or less.    ※ Cover is optional  
 ※ Tolerance: ±1    ※ Dimensions in mm.  
 ※ Mounting torque: 1.2N·m (12.8kgf·cm) max

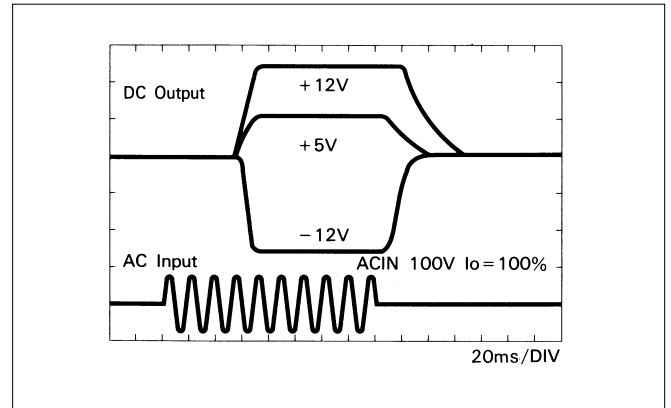
Barrier strip type

Performance data

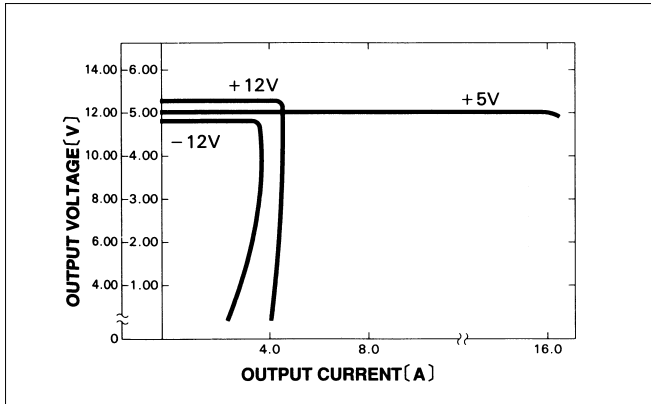
■ STATIC CHARACTERISTICS (PMC100E-1)



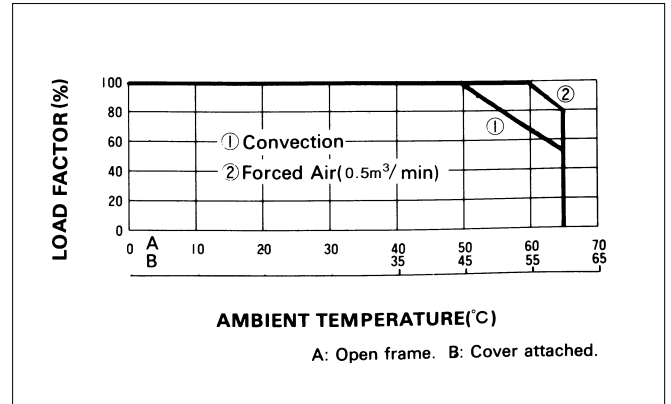
■ RISE TIME & FALL TIME (PMC100E-1)



■ OVERCURRENT CHARACTERISTICS (PMC100E-1)



■ DERATING CURVE



A: Open frame. B: Cover attached.