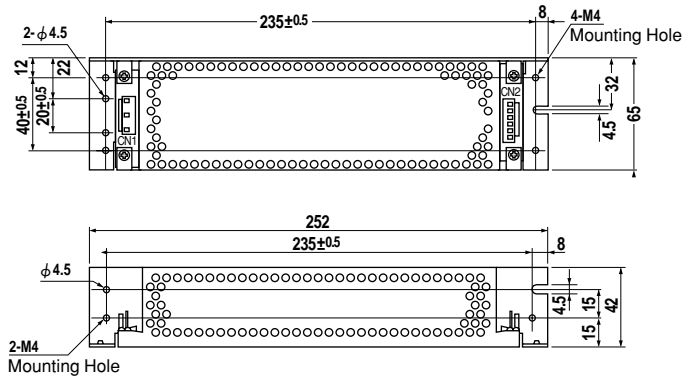
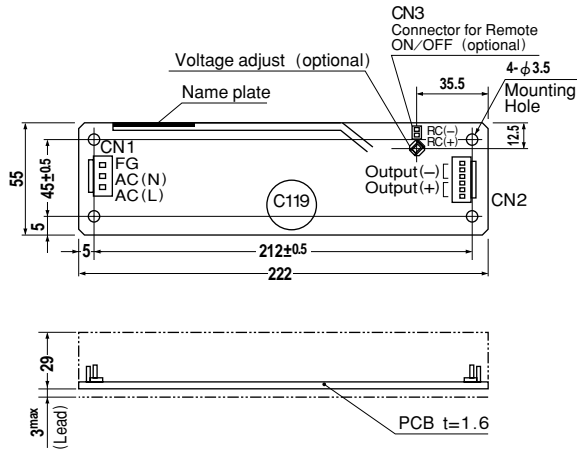


External view



I / O Connector	Mating Connector	Terminal
CN1	B3P5-VH	VHR-5N
CN2	B6P-VH	VHR-6N
CN3	B2B-XH-A	XHP-2

〈PIN CONNECTION〉

Pin No.	Input
1	AC(L)
2	
3	AC(N)
4	
5	FG

Pin No.	Output
1~3	-V
4~6	+V

〈Optional〉

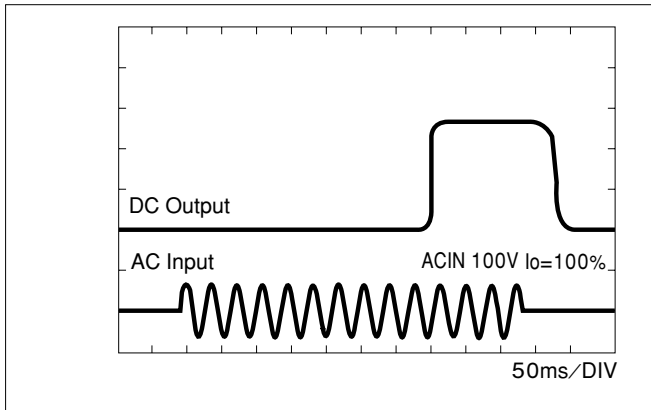
Pin No.	Remote ON/OFF
1	RC(+)
2	RC(-)

- ※Weight: 290g or less (Without chassis and cover)
- ※Tolerance: ±1
- ※Dimensions in mm.
- ※PCB Material: Glass composite (CEM3)
- ※Chassis and cover is optional.
- ※Chassis and cover is not available to remote ON/OFF unit.
- ※Mounting torque: 1.5N·m(16kgf·cm)max

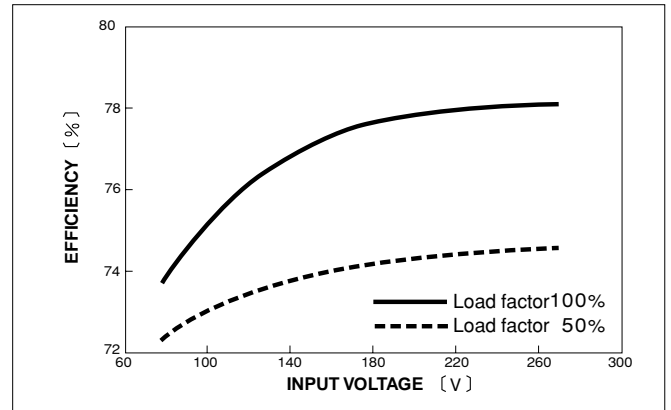
LEA

Performance data

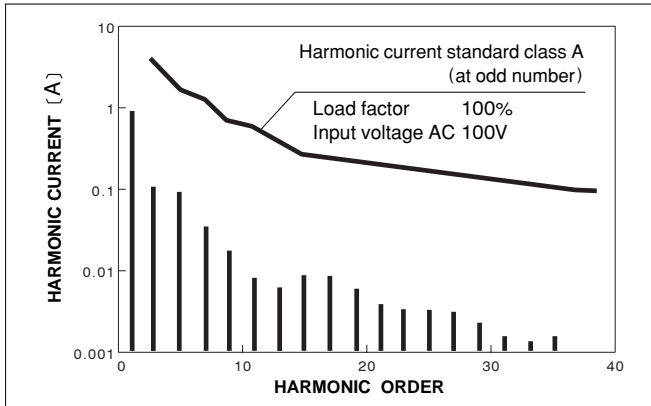
RISE TIME & FALL TIME (LEA75F-5)



EFFICIENCY (LEA75F-5)



INPUT HARMONIC CURRENT (LEA75F-5)



INPUT HARMONIC CURRENT (LEA75F-5)

