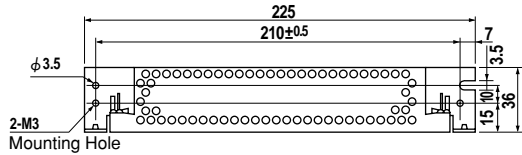
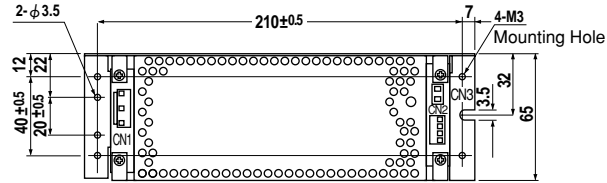
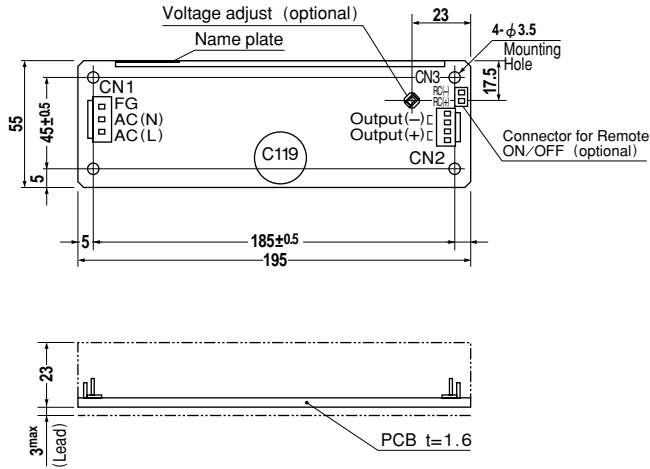


External view



I / O Connector	Mating Connector	Terminal	
CN1	B3P5-VH	VHR-5N	Chain: SVH-21T-P1.1
			Loose: BVH-21T-P1.1
CN2	B4P-VH	VHR-4N	Chain: SVH-21T-P1.1
			Loose: BVH-21T-P1.1
CN3	B2B-XH-A	XHP-2	Chain: SXH-001T-P0.6
			Loose: BXH-001T-P0.6

(Mfr: J.S.T.)

(PIN CONNECTION)

Pin No.	Input
1	AC(L)
2	
3	AC(N)
4	
5	FG

Pin No.	Output
1	-V
2	-V
3	+V
4	+V

(Optional)

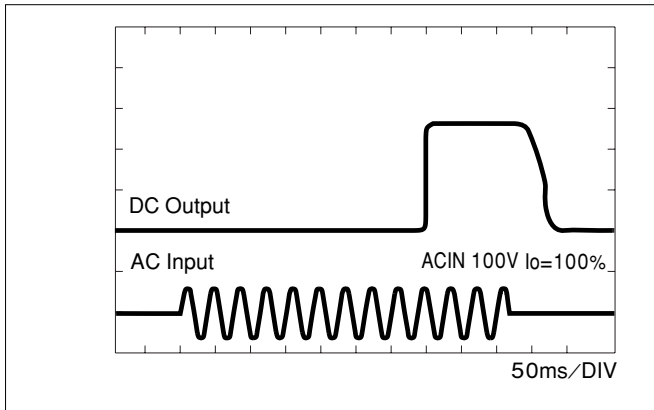
Pin No.	Remote ON/OFF
1	RC(+)
2	RC(-)

- ※Weight: 210g or less (Without chassis and cover)
- ※Tolerance: ±1
- ※Dimensions in mm.
- ※PCB Material: Glass composite (CEM3)
- ※Chassis and cover is optional.
- ※Mounting torque: 0.6N·m(6.3kgf·cm)max

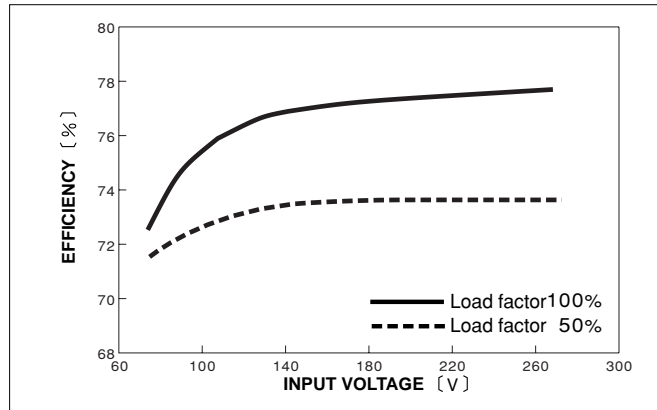
LEA

Performance data

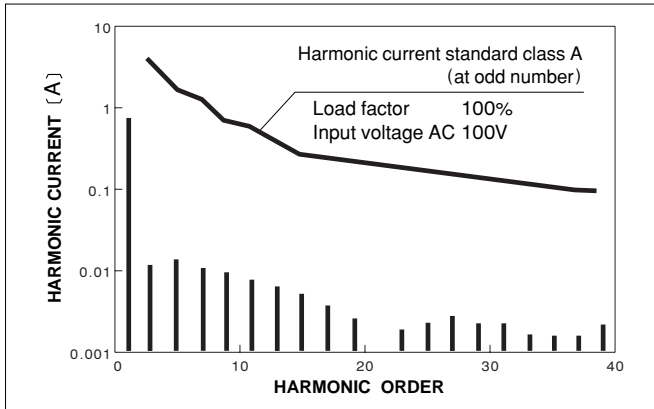
RISE TIME & FALL TIME (LEA50F-5)



EFFICIENCY (LEA50F-5)



INPUT HARMONIC CURRENT (LEA50F-5)



INPUT HARMONIC CURRENT (LEA50F-5)

