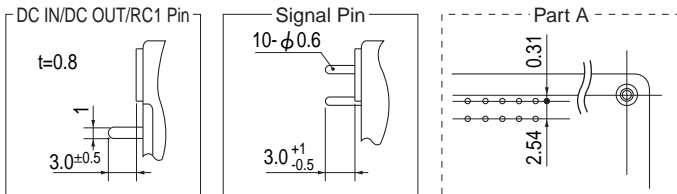
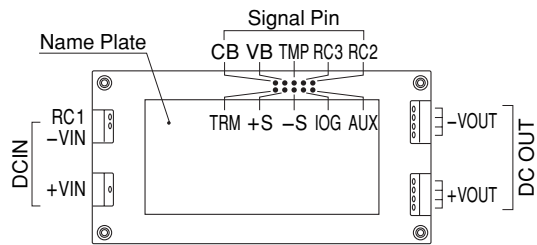
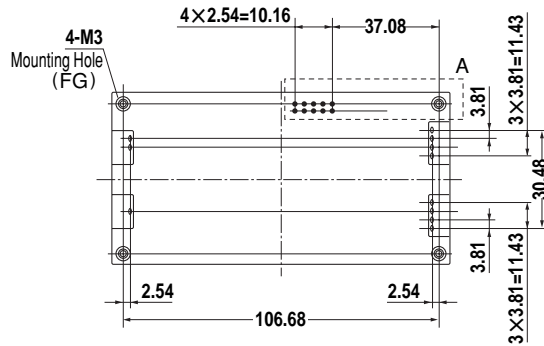
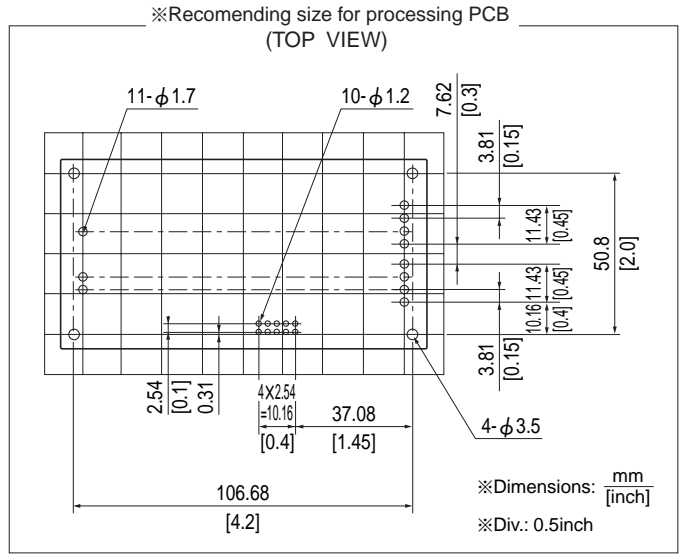
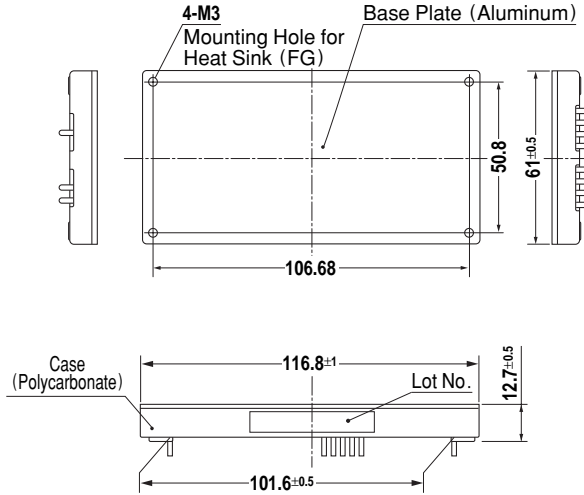


External view



- ※Weight: 150g or less
- ※Tolerance: ±0.3
- ※Base Plate: Aluminum
- ※Dimensions in mm.
- ※Mounting hole screwing torque: 0.4N · m(5.0kgf · cm)