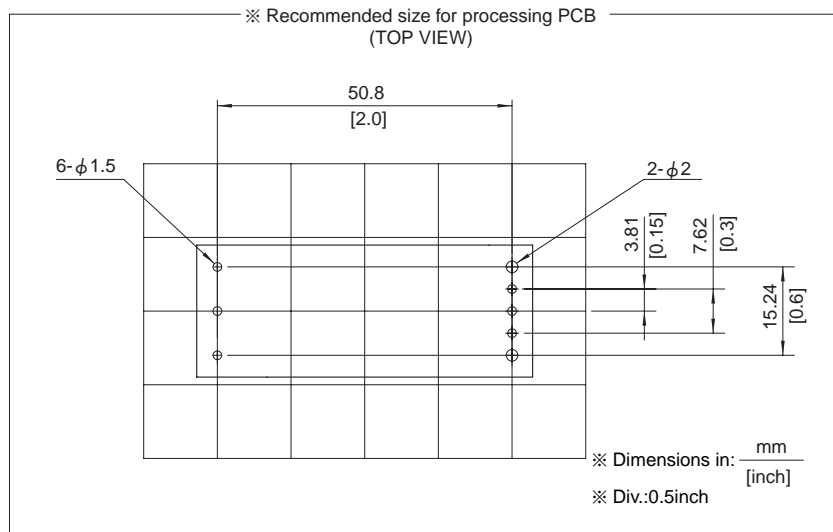
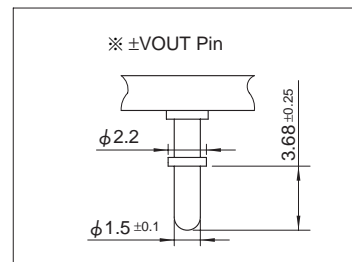
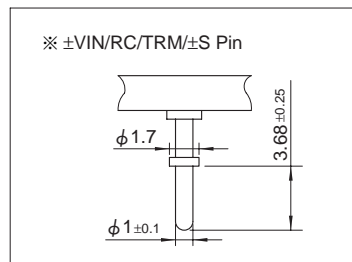
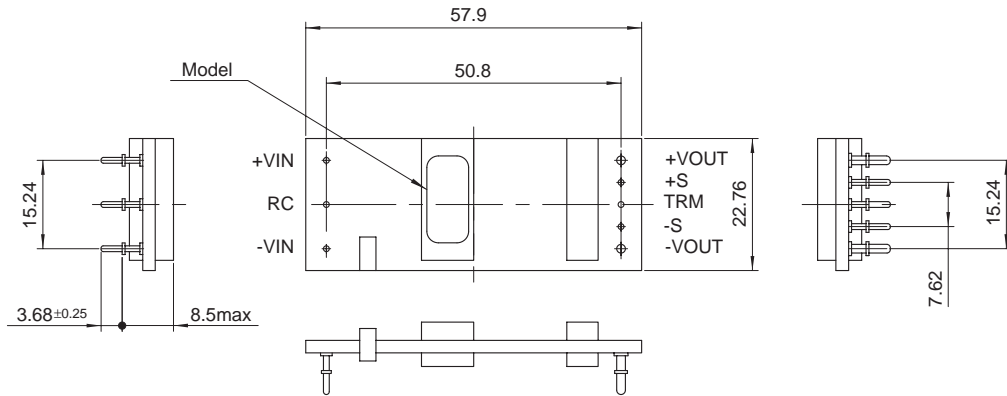


External view



- ※ Tolerance:±0.5
- ※ Mass:26g or less
- ※ Dimensions in mm