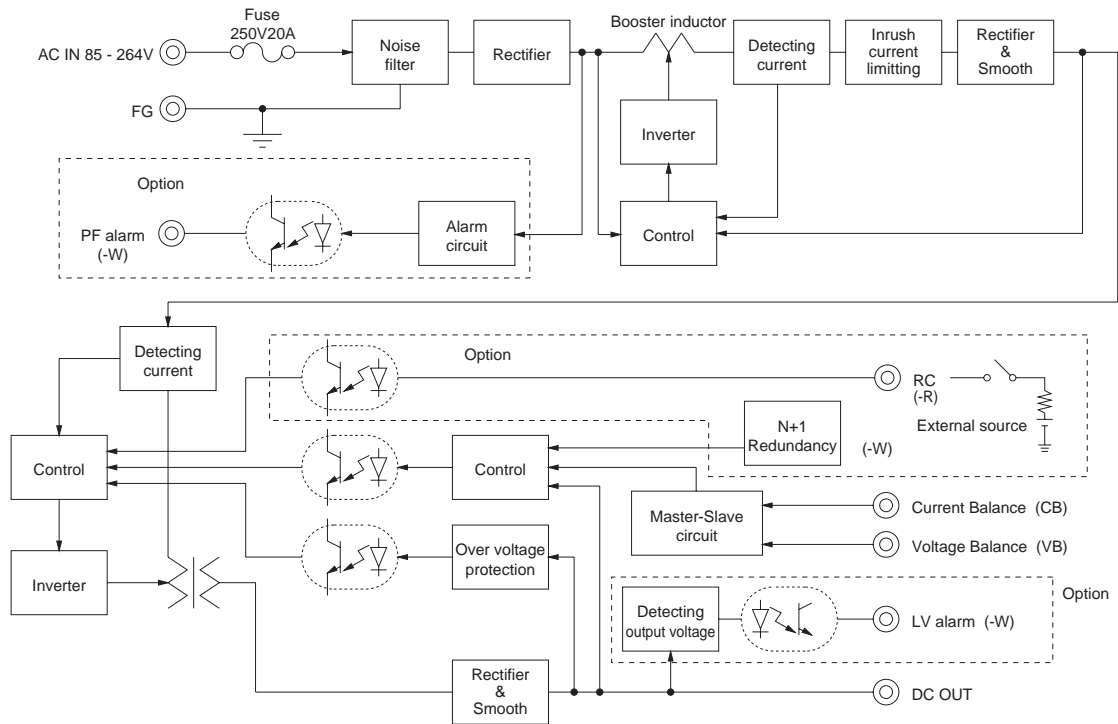
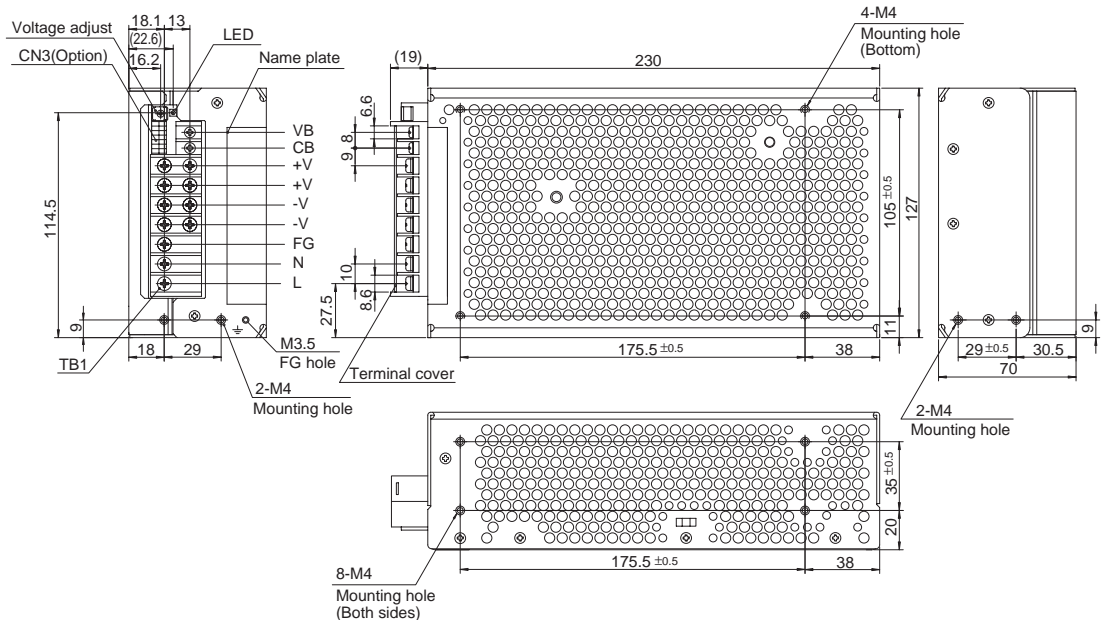


Block diagram



External view



※ Pin assign

Symbol	Function	Screw type
VB	Voltage balance	M3
CB	Current balance	
+V	Output terminal(+)	M4
+V	Output terminal(+)	
-V	Output terminal(-)	
-V	Output terminal(-)	
FG	Frame ground	
N	AC(N)	
L	AC(L)	

Average 21A max per pin for TB1

- ※ Tolerance : ±1
- ※ Weight : 1.9kg max
- ※ PCB material / thickness : FR-4 / 1.6mm
- ※ Chassis and cover material : aluminium
- ※ Dimensions in mm
- ※ Mounting torque : 1.2N · m(12.8kgf · cm) max
- ※ Screw tightening torque
- ※ M4 : 1.6N · m(16.9kgf · cm) max , M3 : 0.8N · m(8.5kgf · cm) max
- ※ I/O terminal for option-J and -T is shown in Instruction Manual 5.

CN3(Optional)

Pin No.	Function
1	RC+ : Remote ON/OFF+(-R)
2	RC- : Remote ON/OFF-(-R)
3-8	NC : N.C.
9	LV+ : LV Alarm(-W)
10	LV- : LV Alarm ground(-W)
11-12	NC : N.C.
13	PF+ : PF Alarm(-W)
14	PF- : PF Alarm ground(-W)

Connector	Mating connector	Terminal	Mfr.
CN3	S14B-PHDSS	PHDR-14VS	Chain:SPHD-002T-P0.5 Loose:BPHD-001T-P0.5 BPHD-002T-P0.5 ¹⁾

*1 Ratchet Hand is nothing