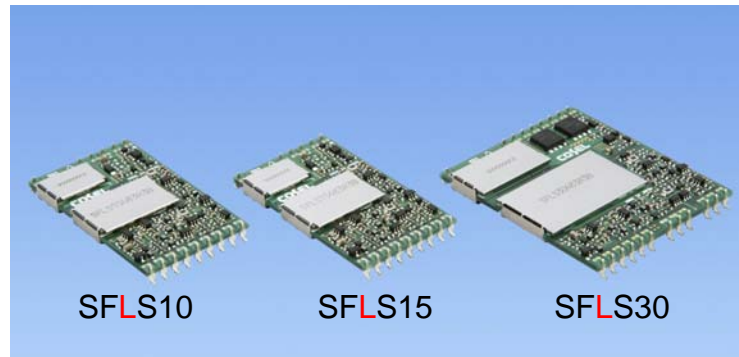


48Vin ISOLATED DC/DC CONVERTER
Output power : 10W - 30W
SFLS10 / SFLS15 / SFLS30

Application
Computer and Communications equipment (the input source is 48Vdc)
Features
Low profile

SFLS10/15:H=4.2max (SFS10/15:H=5max)

SFLS30 :H=4.4max (SFS30 :H=8max)

Small footprint

18% smaller than SFS10/15

SFLS10/15, replaceable from SFS series

Wide operating ambient temperature(natural convection cooling)

 -40 to **+85**degC (Vin=DC36V - 60V)

-40 to +80degC (Vin=DC60V - 76V)

Parallel operation is possible
Input/output isolation : 1500Vdc
Protection circuit and others

Over current protection (OCP),Low voltage protection (LVP) and Over voltage protection (OVP)

Remote ON/OFF Provided (RC open : ON, short between RC and +Vin : OFF)

Sequence control(New function)

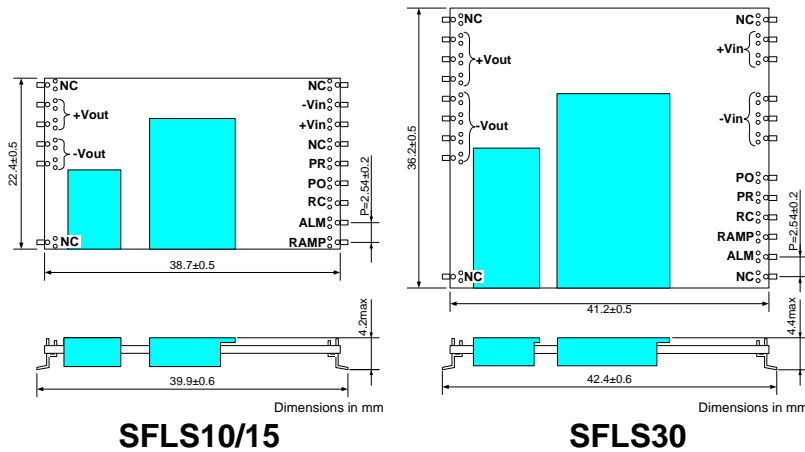
Ramp-rate control(New function)

Delay time control(New function)

Specifications

Item	Model	Output voltage								
		1.2V	1.5V	1.8V	2.0V	2.5V	3.3V	5.0V	5.2V	12V
Output current	SFLS10	3.5A	3.5A	3.0A	-	3.0A	3.0A	2.0A	-	-
	SFLS15	5.2A	5.2A	4.5A	4.5A	4.5A	4.5A	3.0A	3.0A	1.25A
	SFLS30	12A	11A	11A	-	10A	9A	6A	-	-
Input voltage	DC48V(36-76V)									
Size	SFLS10/15:38.7(W)×22.4(D)×4.2max(H) SFLS30:41.2(W)×36.2(D)×4.4max(H)									
Operating temperature	-40 to +85degC (with derating)									
Safety agency approvals	UL60950-1 / C-UL(CSA60950-1) / EN60950-1									

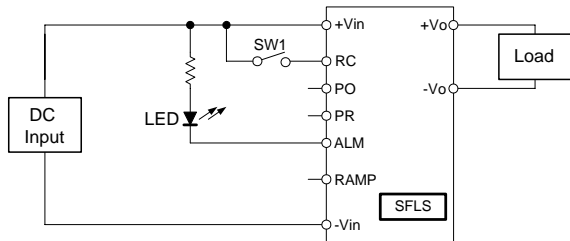
Pin Configuration



Pin Name	Function
+Vin	+DC input
-Vin	-DC input
RC	Remote ON/OFF
PO	Start in/out
PR	Power ready / Sequence control
ALM	Alarm
RAMP	Ramp-rate control
+Vout	+DC output
-Vout	-DC output
NC	Not connected / Adhesive dispensing

Connection

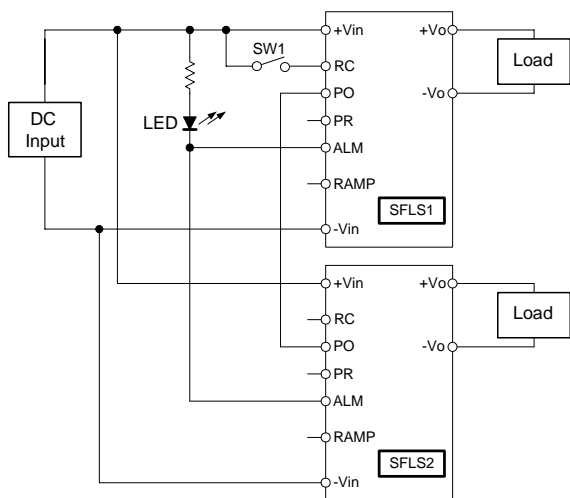
Connection for Standard Use



Connection for standard use

- Normal or abnormal operation of the unit can be monitored by using the ALM pin.
- When remote ON / OFF function is not use, please open-circuit between RC and +Vin or short-circuit between RC and -Vin.

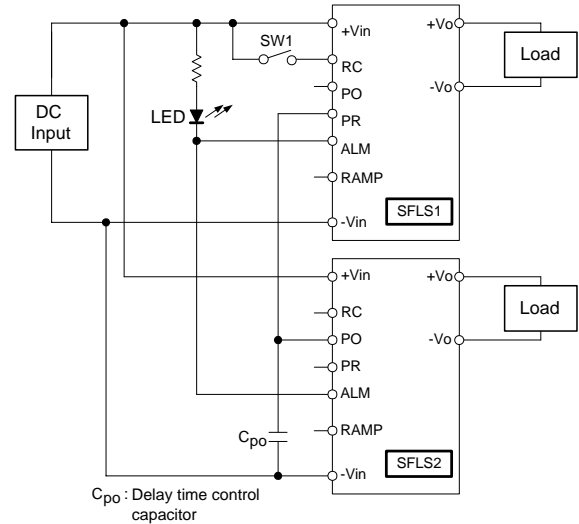
Parallel operation (Start in / out)



Examples of series operation

- By connecting PO pin, difference of start-up voltage and stop voltage can be prevented.

Sequence control and Delay time control

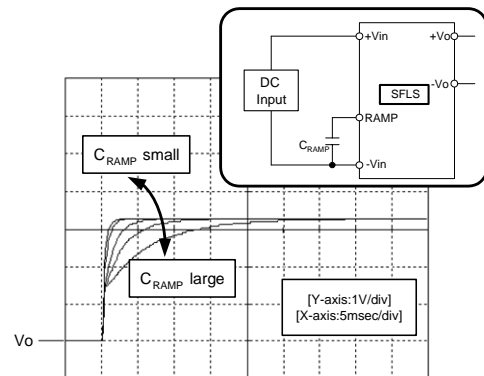


C_{po}: Delay time control capacitor

Example of parallel operation

- By connecting short-circuit between PR and PO pin, start-up time can be controlled.

Ramp-rate control



- By connecting external capacitor C_{RAMP} between RAMP and -Vin pin, ramp-rate can be controlled.